
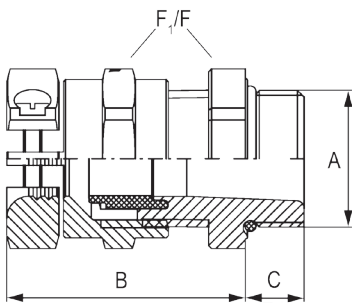


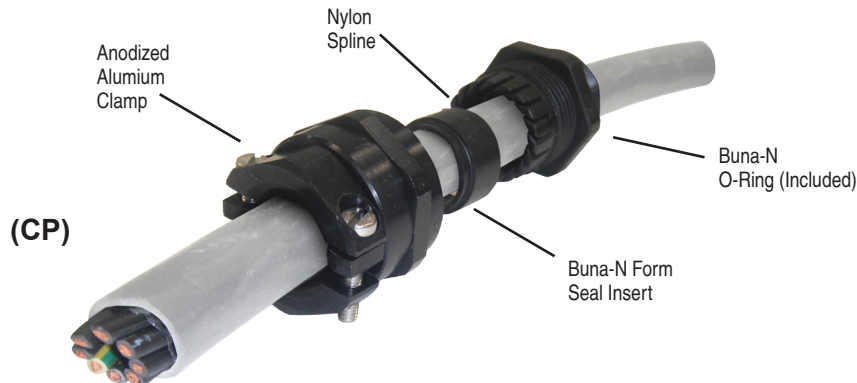
**For Non-Armored Cable**

**Nylon, Cable Glands for Hazardous Duty Locations, Black Anodized Aluminum Clamp, V0, UL94, NEMA 6, 150 PSIG, IP 68/69K, 10 BAR**

Part Numbers	Cable Range	Thread Type & Size	Dimensions in Inches (mm)			
			A	B	C	F <sub>1</sub> /F
-4°F to 158°F (-20°C to 70°C)			Clearance Hole	Body Length	Thread Length	Wrench Flats
 (Standard)	Inches (mm)	Page 59 for Thread Specs	+ .01" (+.25 mm)	(Dome)	(Standard)	
CD09AA-CP	.16 - .31 (4 - 8)	<b>PG 9</b>	.60 (15.2)	.87 (22)	.59 (15)	.75 (19)
CD11AA-CP	.24 - .39 (6 - 10)	<b>PG 11</b>	.73 (18.5)	.98 (25)	.59 (15)	.87 (22)
CD13AA-CP	.24 - .47 (6 - 12)	<b>PG 13</b>	.80 (20.3)	1.06 (27)	.59 (15)	.94 (24)
CD16AA-CP	.39 - .55 (10 - 14)	<b>PG 16</b>	.89 (22.5)	1.10 (28)	.39 (10)	1.06 (27)
CD21AA-CP	.51 - .71 (13 - 18)	<b>PG 21</b>	1.12 (28.4)	1.22 (31)	.43 (11)	1.30 (33)
CD29AA-CP	.71 - .98 (18 - 25)	<b>PG 29</b>	1.47 (37.3)	1.53 (39)	.51 (13)	1.65 (42)
CD36AA-CP	.87 - 1.26 (22 - 32)	<b>PG 36</b>	1.85 (47)	1.88 (48)	.51 (13)	2.09 (53)
CD42AA-CP	1.26 - 1.50 (32 - 38)	<b>PG 42</b>	2.13 (54.1)	1.93 (49)	.51 (13)	2.36 (60)
CD48AA-CP	1.46 - 1.73 (37 - 44)	<b>PG 48</b>	2.34 (59.4)	1.93 (49)	.55 (14)	2.56 (65)
CD16MA-CP	.16 - .31 (4 - 8)	<b>M16 x 1.5</b>	.63 (16)	1.14 (29)	.59 (15)	.75 (19)
CD20MA-CP	.24 - .47 (6 - 12)	<b>M20 x 1.5</b>	.79 (20)	1.40 (35.5)	.59 (15)	.94 (24)
CD25MA-CP	.51 - .71 (13 - 18)	<b>M25 x 1.5</b>	.98 (25)	1.61 (41)	.43 (11)	1.30 (33)
CD32MA-CP	.71 - .98 (18 - 25)	<b>M32 x 1.5</b>	1.26 (32)	1.93 (49)	.43 (11)	1.65 (42)
CD40MA-CP	.87 - 1.26 (22 - 32)	<b>M40 x 1.5</b>	1.57 (40)	2.28 (58)	.51 (13)	2.09 (53)
CD50MA-CP	1.26 - 1.50 (32 - 38)	<b>M50 x 1.5</b>	1.97 (50)	2.42 (61.5)	.51 (13)	2.36 (60)
CD63MA-CP	1.46 - 1.73 (37 - 44)	<b>M63 x 1.5</b>	2.48 (63)	2.44 (62)	.55 (14)	2.56 (65) / 2.68 (68)



*Nylon body with Anodized Aluminum Clamp provides extra pull-out resistance and torque prevention to the cable.*



Ex-d EXIOS Cable Glands  
 Ex-d Nickel Plated Brass & Stainless Steel Glands  
 Nylon Glands Ex-g  
 Ex-e Multi-Hole & Romex Glands  
 Ex-e Nickel Plated Brass & Stainless Steel Glands  
 Ex-e EMI / RFI Nickel Plated Brass Glands  
 Ex-e / Ex-d Accessories  
 Technical Information